



VALVES

**BALL - LOCKING HANDLE 316 SS
2000 WOG/CWP**

FEATURES & APPLICATIONS:

- Standard Port - 1 Piece
- 2000 WOG/CWP
- 316 SS - PTFE Seat
- Locking Handle
- Plumbing or heating projects, low pressure steam, compressed air, HVAC



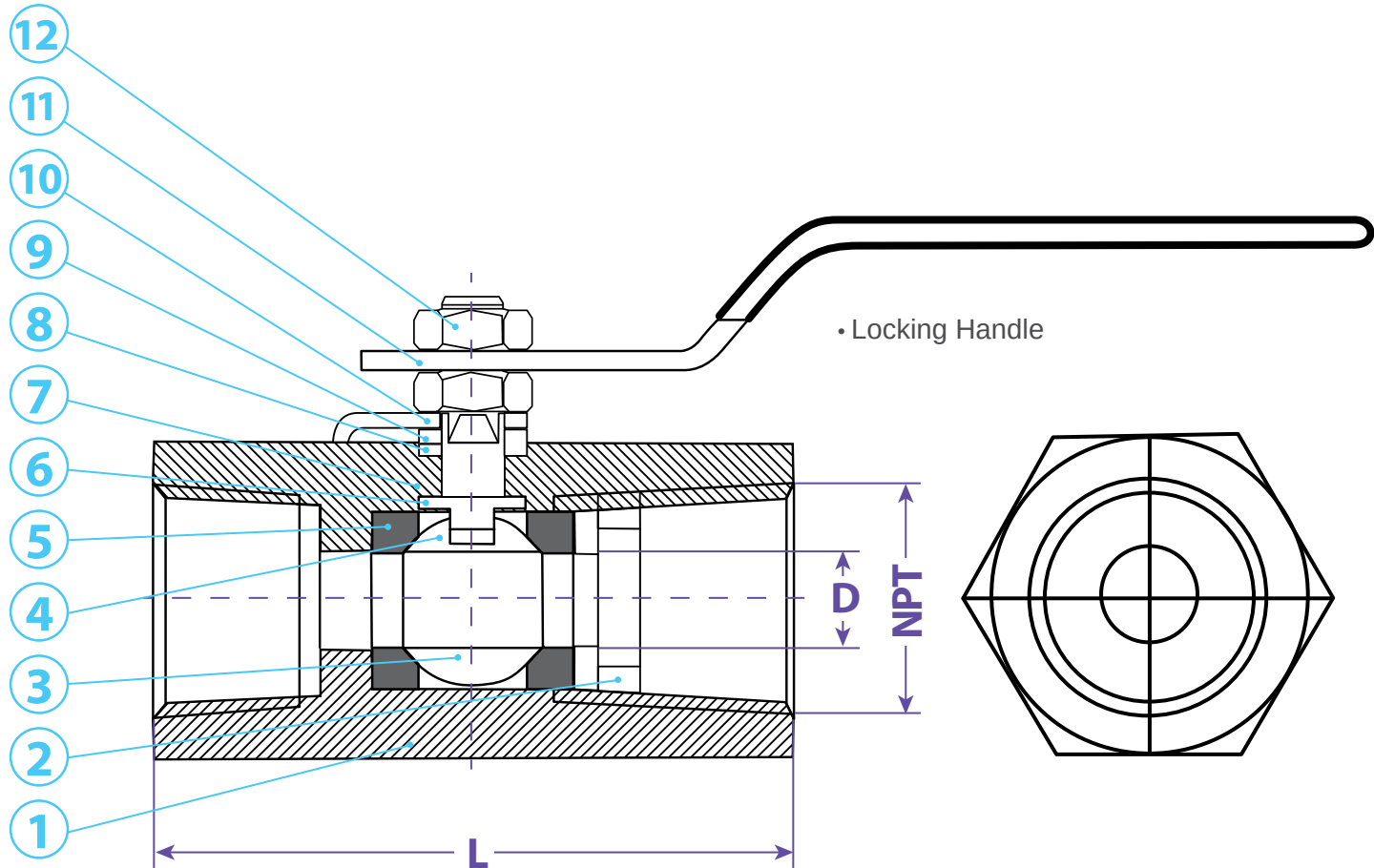
TECHNICAL DATA:

- **WOG** = Rating indicates the maximum non-shock pressure at ambient temperatures at which the valve may be used.
- **CWP** = Cold working pressure

WOG: Water, Oil & Gas: This was an older, generic pressure rating call-out which has been largely replaced by CWP. In this designation, "GAS" refers to any non-flammable, compressible fluid in a gaseous state. It does not imply a product's suitability or third-party approval for use with flammable gases. Similarly, in this designation, "Oil" does not imply a product's third-party approval for use with any petroleum products.

316 SS	
Size	Part #
1/4"	SV 025 2
3/8"	SV 038 2
1/2"	SV 050 2
3/4"	SV 075 2
1"	SV 100 2
1-1/4"	SV 125 2 *
1-1/2"	SV 150 2 *
2"	SV 200 2 *

1/4" thru 1" is 2000 WOG
* 1-1/4" thru 2" is 1500 WOG



1/4" thru 1" is 2000 WOG
* 1-1/4" thru 2" is 1500 WOG

Dimensions			
Size	D	L	Part #
1/4"	5	46	SV 025 2
1/2"	9	59	SV 038 2
3/4"	12	66	SV 050 2
1"	15	73	SV 075 2
1-1/4"	20	89	SV 100 2
1-1/2"	25	96	SV 125 2
2"	32	107	SV 150 2

Nomenclature & Material		
No.	Description	Material
1	Body	CF8M
2	End Cap	316
3	Ball	316
4	Stem	316
5	Seat	RPTFE
6	Gasket	316
7	Thrust Washer	PTFE
8	Packing	PTFE
9	Gland Nut	304
10	Orientation Patch	SS
11	Handle	SS
12	Handle Nut	304

TITLE **BALL VALVE w/Locking Handle - 2000 WOG/CWP**

DISCLAIMER

All drawings and specifications are subject to change without notice. Drawings represent general dimensions of our products. Seal Fast Inc. cannot guarantee the dimensions will exactly match those in the drawing. The drawing is the property of Seal Fast Inc. Copying or reproduction of this drawing is expressly prohibited.

MATERIAL

STAINLESS STEEL

DRAWING NOT TO SCALE

PART # **SV... 2**